

ZAKŁAD IZOLATORÓW ELEKTROTECHNICZNYCH
BOPLAST Sp. z o.o.

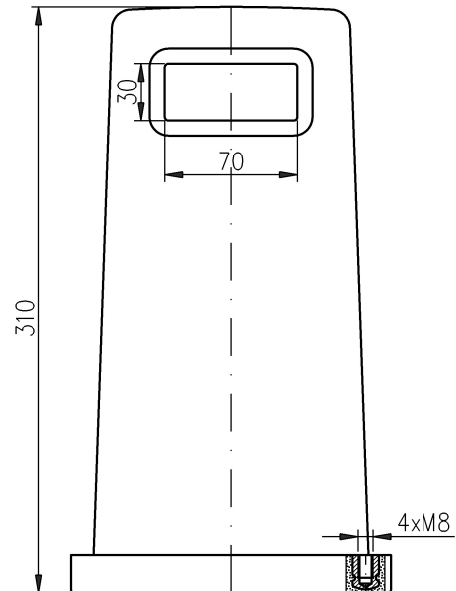
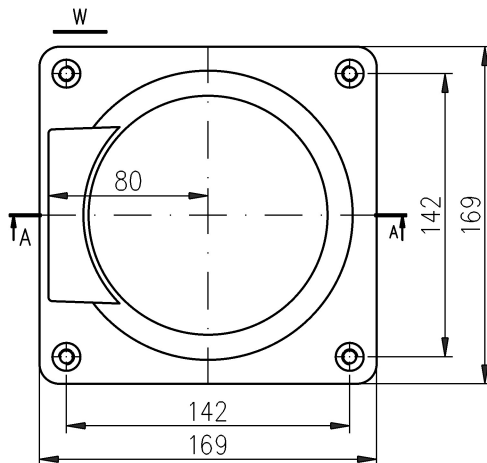
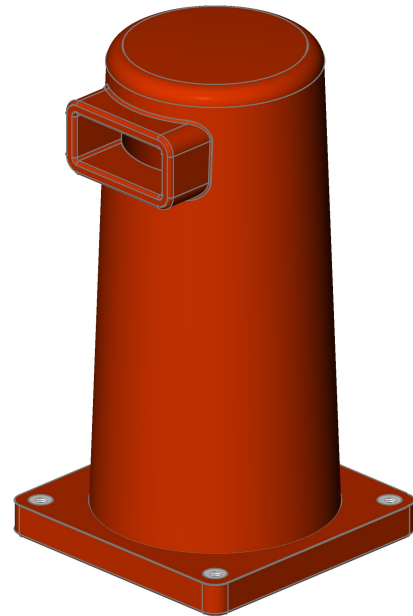
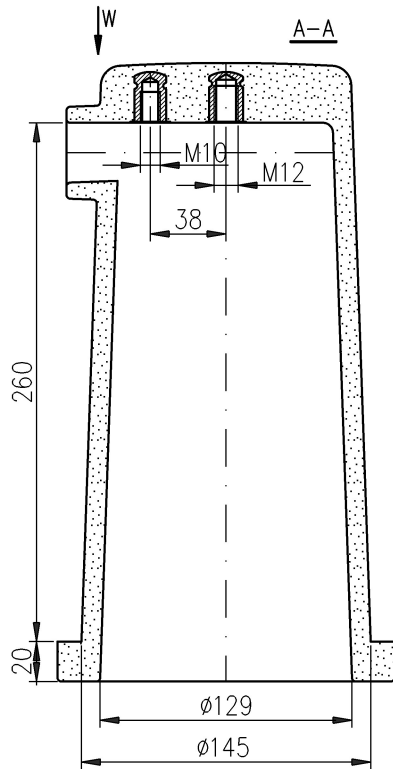
Adres:

ul. B.Krzywoustego 1,
tel. +48 59 862 01 86;
www.boplast.pl

84-300 Lębork
tel. 516 198 886
e-mail: boplast@boplast.pl

POST INSULATORS * BUSHING INSULATORS * INSULATION PRODUCTS * SERVICES

Post-bushing insulator 24 kV type IPW.RV.bp7-2/24/0,8.02



Rated insulation voltage	24 kV
Lighting impulse withstand voltage	125 kV
Dry withstand alternate voltage (50Hz, 1 min)	50 kV
Rated current	800 A
Bending strength Po	2 kN
Weight	2,9 kg

1. Insulator material:
epoxy compound
2. Max screw tightening torque:
 - M8 - 20 Nm
 - M10 - 30 Nm
 - M12 - 50 Nm
3. Voltage, temperature and short circuit requirements according to PN-EN 60137
4. Indoor insulator

1. Insulator is mounted to subsoil (wall, partition) using four M8 screws.

All data can be changed due to technological progress

TD BP.8.416 from day 10.02.2026

Order example:
Post-bushing insulator IPW.RV.bp7-2/24/0,8.02