

ZAKŁAD IZOLATORÓW ELEKTROTECHNICZNYCH  
BOPLAST Sp. z o.o.

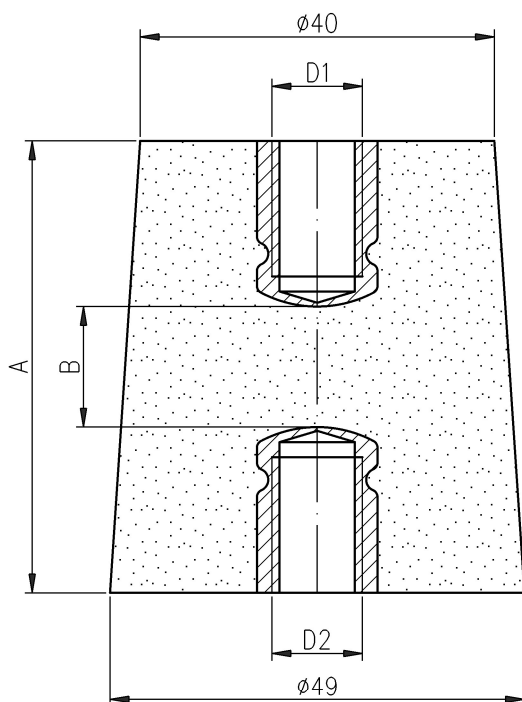
Adres:

ul. B.Krzywoustego 1,  
tel. +48 59 862 01 86;  
www.boplast.pl

84-300 Lębork  
tel. 516 198 886  
e-mail: boplast@boplast.pl

POST INSULATORS \* BUSHING INSULATORS \* INSULATION PRODUCTS \* SERVICES

## Post insulator 3 kV type IW16



1. Insulator material:  
epoxy compound
2. Parameters according to PN-IEC 60273
3. Max screw tightening torque:  
- M10 - 30 Nm  
- M12 - 50 Nm
4. Indoor insulator

04	50	14	50	M12	M12	0,16
03	50	10	50	M10	M10	0,16
02	40	8	40	M12	M12	0,13
01	50	18	50	M12	M12	0,16
ver. dim.	A	B	C	D1	D2	E

Rated insulation voltage	3 kV
Bending strength $P_0$	4 kN
Creepage distance	C mm
Weight	E kg

*Possible to make screws according to client's requirements.*