

ZAKŁAD IZOLATORÓW ELEKTROTECHNICZNYCH
BOPLAST Sp. z o.o.

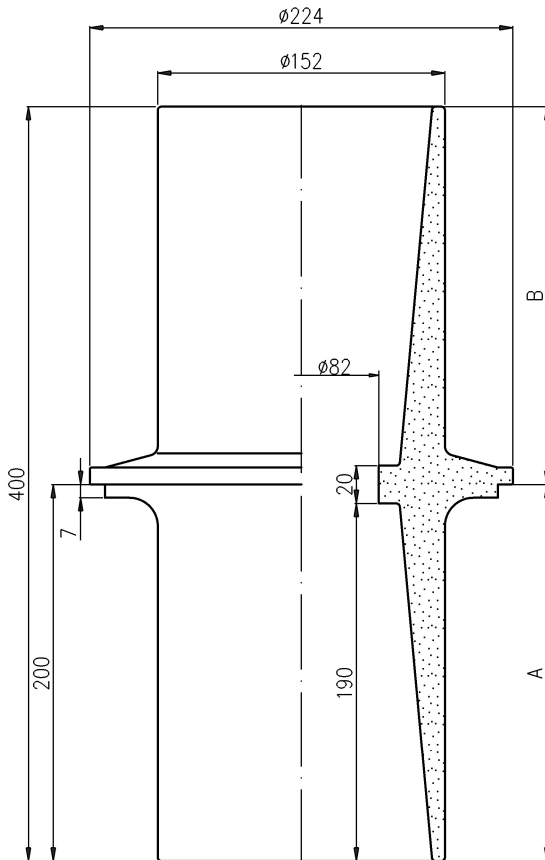
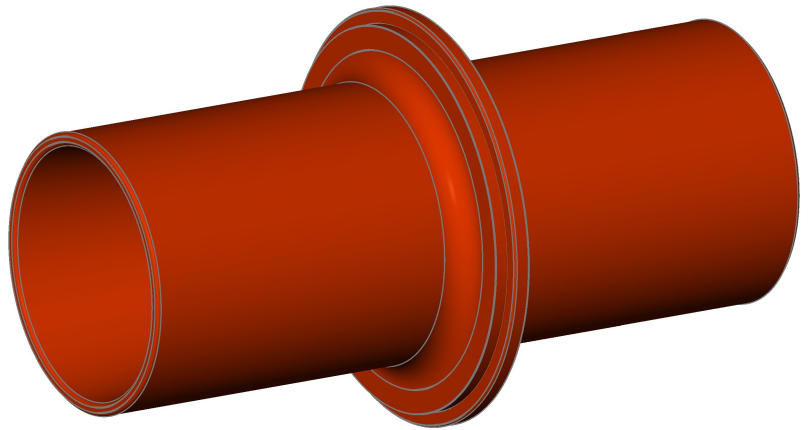
Adres:

ul. B.Krzywoustego 1,
tel. +48 59 862 01 86;
www.boplast.pl

84-300 Lębork
tel. 516 198 886
e-mail: boplast@boplast.pl

POST INSULATORS * BUSHING INSULATORS * INSULATION PRODUCTS * SERVICES

Bushing insulator 24 kV type SPWSGc 25-24/2,5

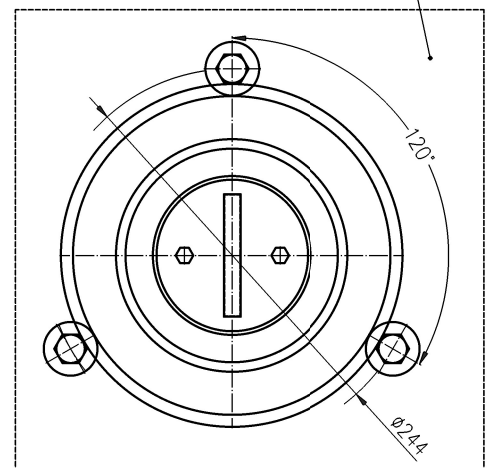
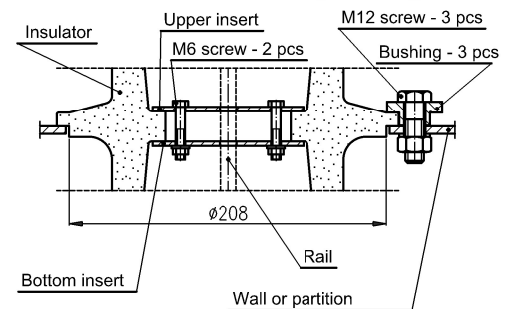


Mounting hole minimum diameter should be 209mm

Rated insulation voltage	24 kV	
Lightning impulse withstand voltage	125 kV	
Dry withstand alternate voltage (50Hz, 1 min)	50 kV	
Rated current	2500 A	
Bending strength Po	25 kN	
Creepage distance	A	229 mm
	B	229 mm
Weight	5,2 kg	

1. Insulator material: epoxy compound
2. Voltage, temperature and short circuit requirements according to PN-EN 60137
3. Indoor insulator

Insulator assembly diagram



1. Insulator is mounted to subsoil (wall, partition) using three bushings and M12 screws.
2. Bushings are included in the package.
3. Centricity of current rails in relation to the opening of insulator provide upper and lower inserts. The inserts are fitted to insulator using two M6 screws.
4. Inserts, M6 and M12 screws are not included in the package.
5. Inserts are made according to client's specified requirements.

All data can be changed due to technological progress

TD BP.3.116 from day 21.02.2025

Order example:

Bushing insulator SPWSGc 25-24/2,5.