

ZAKŁAD IZOLATORÓW ELEKTROTECHNICZNYCH
BOPLAST Sp. z o.o.

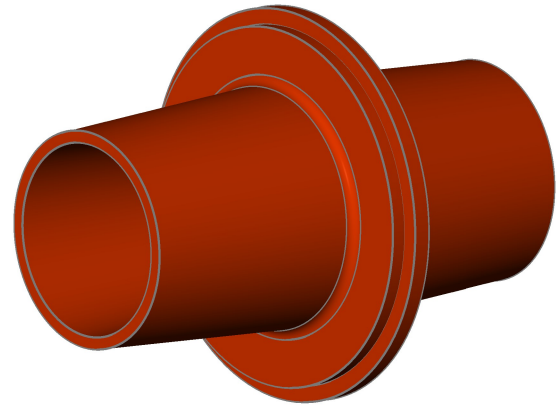
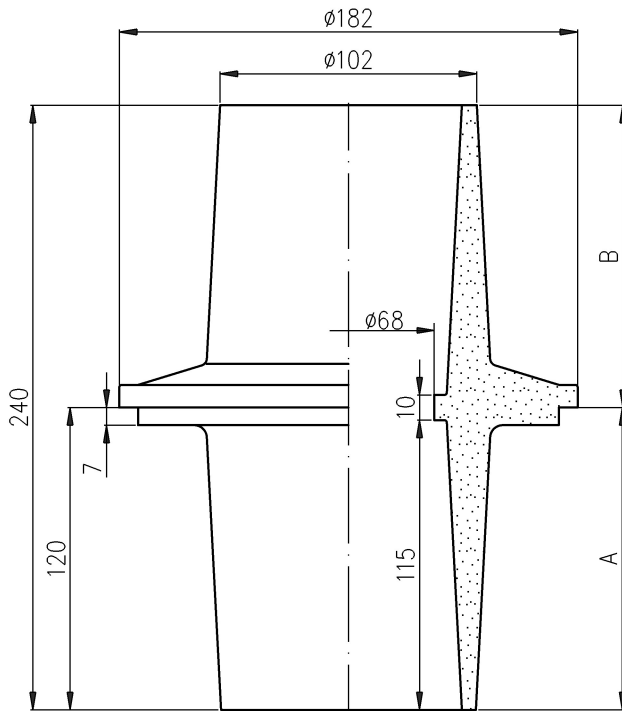
Adres:

ul. B.Krzywoustego 1,
tel. +48 59 862 01 86;
www.boplast.pl

84-300 Lębork
tel. 516 198 886
e-mail: boplast@boplast.pl

POST INSULATORS * BUSHING INSULATORS * INSULATION PRODUCTS * SERVICES

Bushing insulator 12-17,5 kV type SPWSGc 20-12(17,5)/1,25



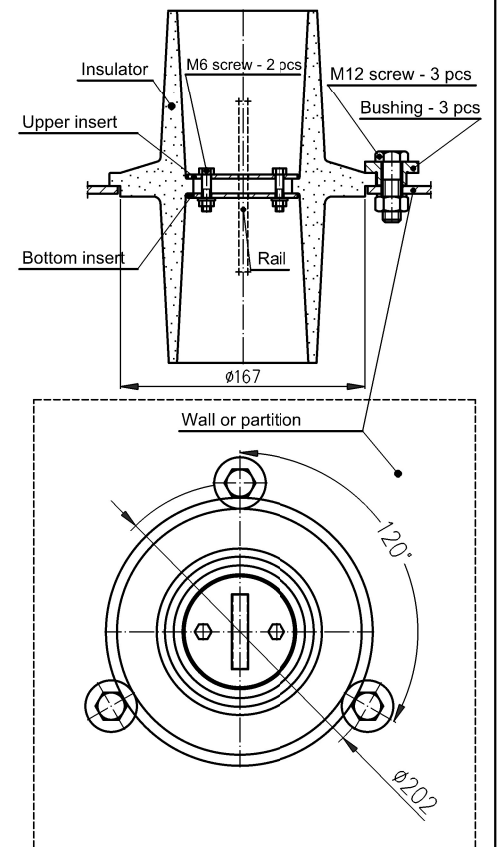
1. Insulator material:
epoxy compound
2. Voltage, temperature and short circuit requirements
according to PN-EN 60137
3. Indoor insulator

Mounting hole minimum diameter should be 168mm

Rated insulation voltage	12 kV	17,5 kV
Lightning impulse withstand voltage	75 kV	95 kV
Dry withstand alternate voltage (50Hz, 1 min)	38 kV	
Rated current	1250 A	
Bending strength Po	20 kN	
Creepage distance	A	152 mm
	B	146 mm
Weight	2,1 kg	

1. Insulator is mounted to subsoil (wall, partition)
using three bushings and M12 screws.
2. Bushings are included in the package.
3. Centricity of current rails in relation to the opening of insulator provide
upper and lower inserts. The inserts are fitted to insulator using two M6 screws.
4. Inserts, M6 and M12 screws are not included in the package.
5. Inserts are made according to client's specified requirements.

Insulator assembly diagram



All data can be changed due to technological progress

TD BP.3.112 from day 21.02.2025

Order example:

Bushing insulator SPWSGc 20-12(17,5)/1,25.