

ZAKŁAD IZOLATORÓW ELEKTROTECHNICZNYCH  
BOPLAST Sp. z o.o.

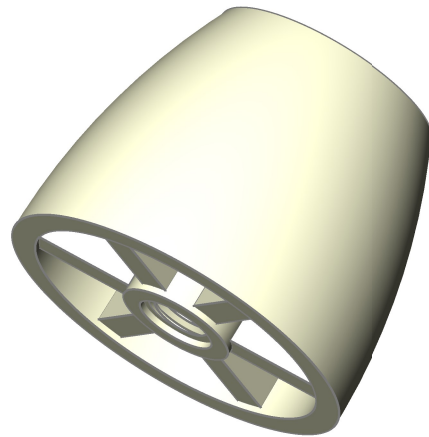
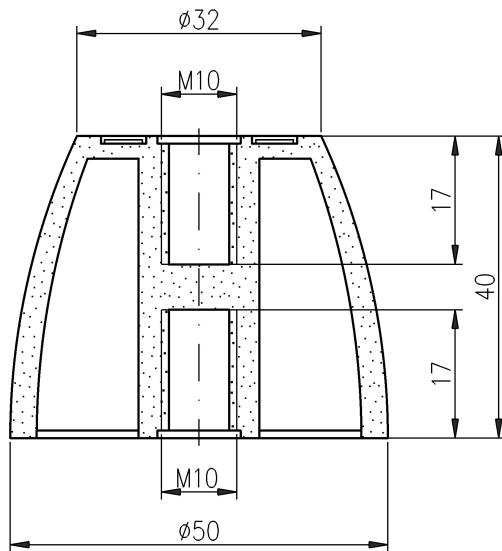
Adres:

ul. B.Krzywoustego 1,  
tel. +48 59 862 01 86;  
www.boplast.pl

84-300 Lębork  
tel. 516 198 886  
e-mail: boplast@boplast.pl

POST INSULATORS \* BUSHING INSULATORS \* INSULATION PRODUCTS \* SERVICES

## Post insulator 1 kV type JO4-1



1. Insulator material:  
glass fiber reinforced polyamide
2. Parameters according to PN-E- 91062-1.1998
3. Tested according to PN-E- 91062-1.1998
4. Indoor insulator

Rated insulation voltage	1 kV
Dry withstand alternate voltage (50Hz, 1 min)	3,5 kV
Bending strength $P_0$	4 kN
Creepage distance	41 mm
Weight	0,048 kg