

ZAKŁAD IZOLATORÓW ELEKTROTECHNICZNYCH  
BOPLAST Sp. z o.o.

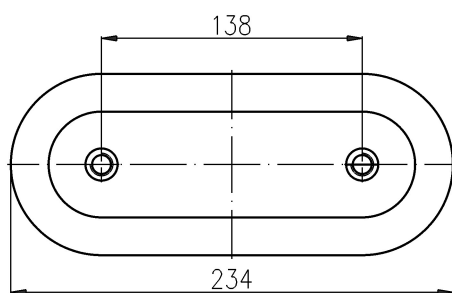
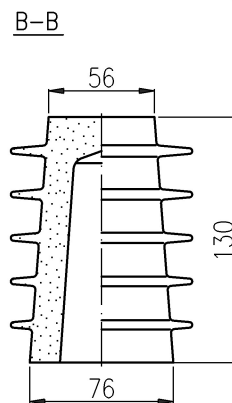
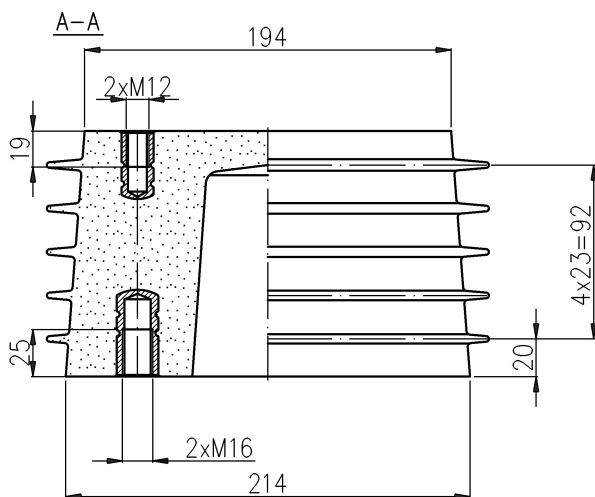
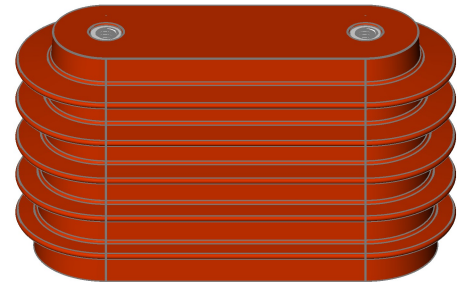
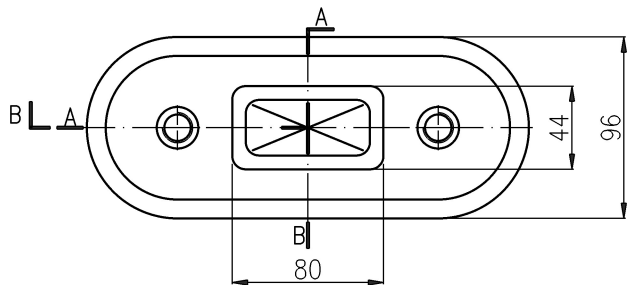
Adres:

ul. B.Krzywoustego 1,  
tel. +48 59 862 01 86;  
www.boplast.pl

84-300 Lębork  
tel. 516 198 886  
e-mail: boplast@boplast.pl

POST INSULATORS \* BUSHING INSULATORS \* INSULATION PRODUCTS \* SERVICES

## Post insulator 12 kV type JO31-75



1. Insulator material:  
epoxy compound
2. Parameters according to PN-91/E-06340
3. Tested according to PN-91/E-06340
4. Max screw tightening torque:  
- M12 - 50 Nm  
- M16 - 120 Nm
5. Indoor insulator

Rated insulation voltage	12 kV
Lightning impulse withstand voltage	75 kV
Dry withstand alternate voltage (50Hz, 1 min)	38 kV
Bending strength Po	31,5kN
Creepage distance	256 mm
Weight	3,21 kg

*Possible to make screws according to client's requirements.*