

ZAKŁAD IZOLATORÓW ELEKTROTECHNICZNYCH
BOPLAST Sp. z o.o.

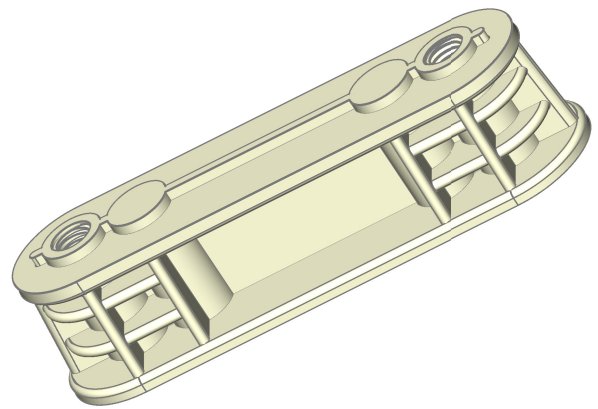
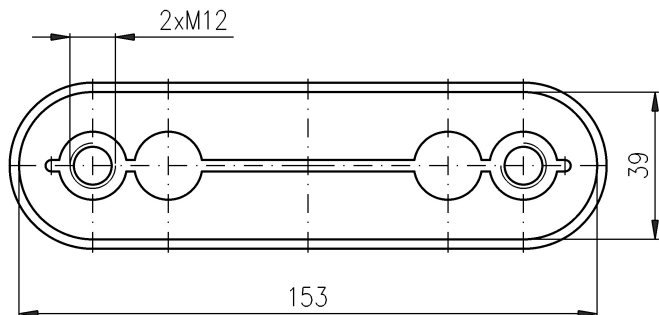
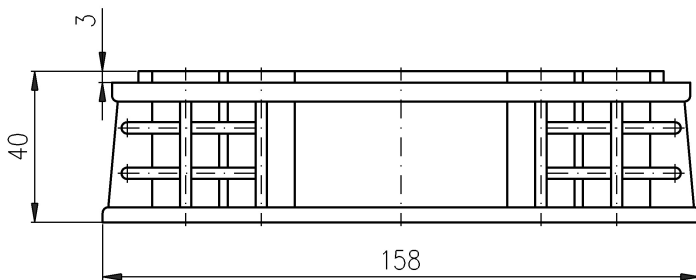
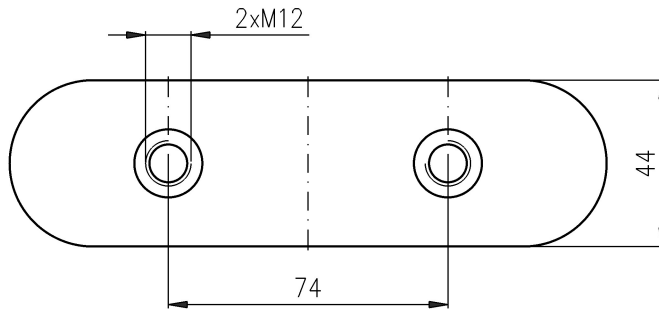
Adres:

ul. B.Krzywoustego 1,
tel. +48 59 862 01 86;
www.boplast.pl

84-300 Lębork
tel. 516 198 886
e-mail: boplast@boplast.pl

POST INSULATORS * BUSHING INSULATORS * INSULATION PRODUCTS * SERVICES

Post insulator 1 kV type JO20-1



1. Insulator material:
glass fiber reinforced polyamide
2. Parameters according to PN-E- 91062-1.1998
3. Tested according to PN-E- 91062-1.1998
4. Indoor insulator

Rated insulation voltage	1 kV
Dry withstand alternate voltage (50Hz, 1 min)	3,5 kV
Bending strength P_0	20 kN
Creepage distance	41 mm
Weight	0,144 kg