

ZAKŁAD IZOLATORÓW ELEKTROTECHNICZNYCH  
BOPLAST Sp. z o.o.

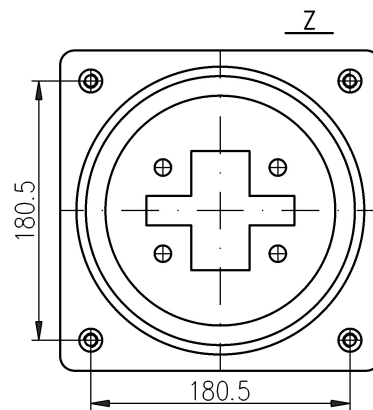
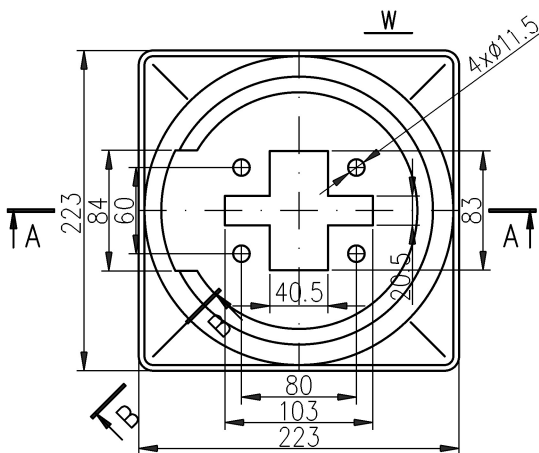
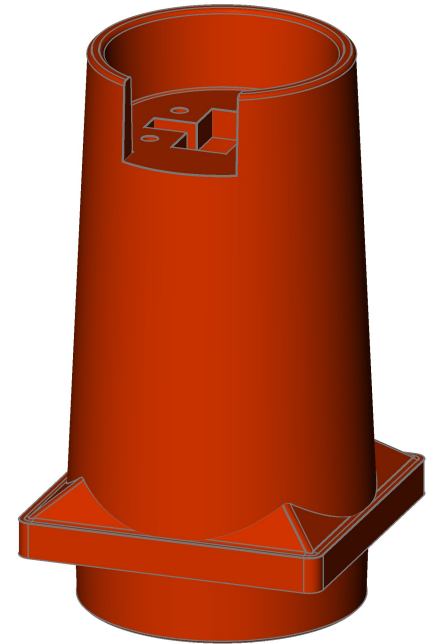
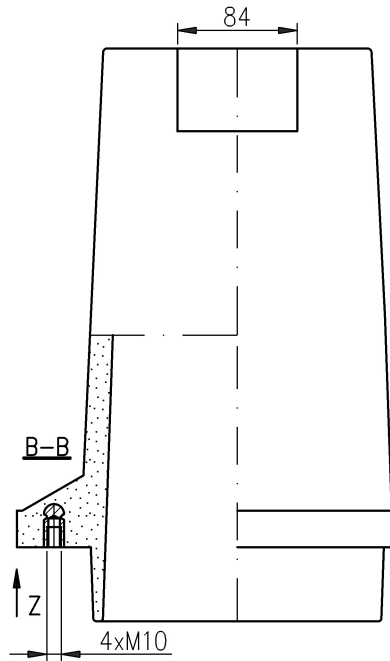
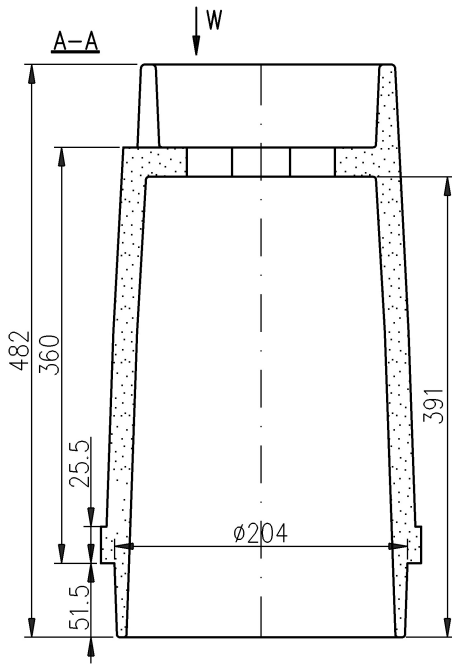
Adres:

ul. B.Krzywoustego 1,  
tel. +48 59 862 01 86;  
www.boplast.pl

84-300 Lębork  
tel. 516 198 886  
e-mail: boplast@boplast.pl

IZOLATORY WSPORCZE \* IZOLATORY PRZEPUSTOWE \* WYROBY IZOLACYJNE \* USŁUGI

## Post-bushing insulator 42 kV type IPW.RV.bp1-4/42/1,25



1. Insulator material: epoxy compound
2. Max screw tightening torque:  
- M10 - 30 Nm
3. Voltage, temperature and short circuit requirements  
according to PN-EN 60137
4. Indoor insulator

Rated insulation voltage	42 kV
Lightning impulse withstand voltage	170 kV
Dry withstand alternate voltage (50Hz, 1 min)	70 kV
Rated current	1250 A
Bending strength Po	4 kN
Weight	9,5 kg

1. Insulator is mounted to subsoil (wall, partition) using four M10 screws.

All data can be changed due to technological progress

DT BP.8.404 z dnia 11.03.2016

Order example:  
Post-bushing insulator IPW.RV.bp1-4/42/1,25