

ZAKŁAD IZOLATORÓW ELEKTROTECHNICZNYCH
BOPLAST Sp. z o.o.

Adres:

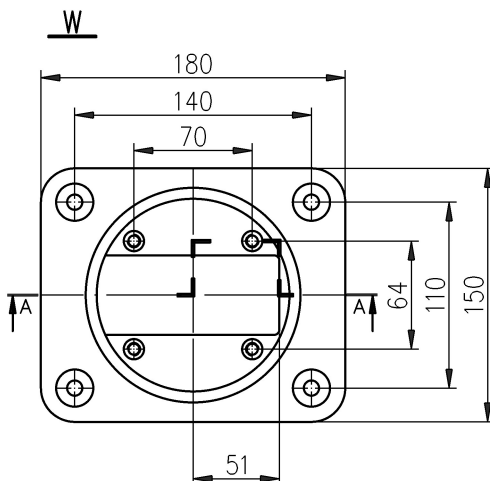
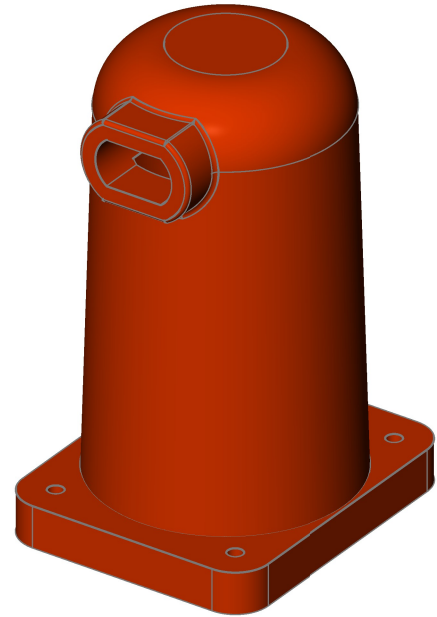
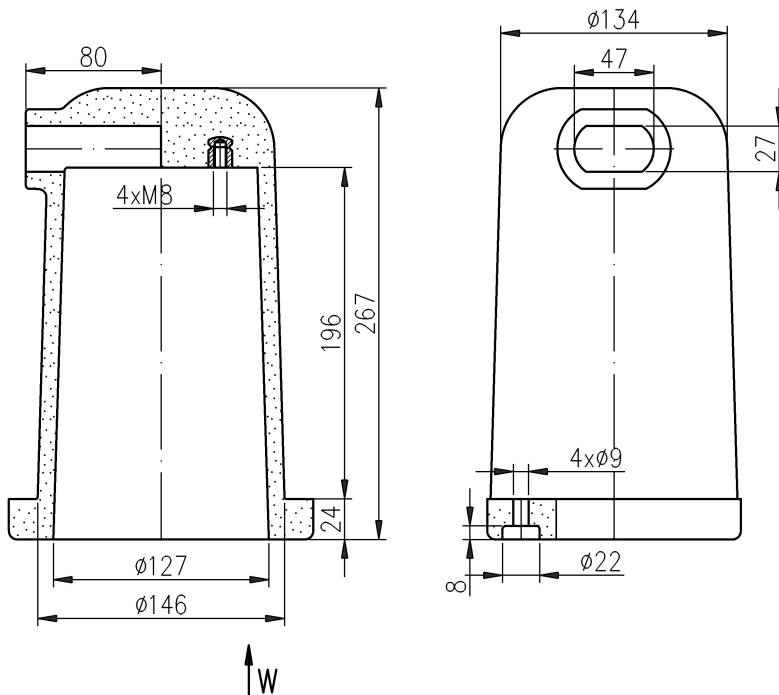
ul. B.Krzywoustego 1,
tel. +48 59 862 01 86;
www.boplast.pl

84-300 Lębork
tel. 516 198 886
e-mail: boplast@boplast.pl

IZOLATORY WSPORCZE * IZOLATORY PRZEPUSTOWE * WYROBY IZOLACYJNE * USŁUGI

Post-bushing insulator 17,5 kV type IPW RV 2-17,5/1,6

A-A



1. Insulator material:
epoxy compound
2. Max screw tightening torque:
- M8 - 20 Nm
3. Voltage, temperature and short circuit requirements
according to PN-EN 60137
4. Indoor insulator

Rated insulation voltage	17,5 kV
Lightning impulse withstand voltage	95 kV
Dry withstand alternate voltage (50Hz, 1 min)	38 kV
Rated current	1600 A
Bending strength Po	2 kN
Weight	3,0 kg

1. Insulator is mounted to subsoil (wall, partition) using four M8 screws.

All data can be changed due to technological progress

DT BP.8.417 z dnia 25.02.2025

Order example:
Post-bushing insulator IPW RV 2-17,5/1,6