

ZAKŁAD IZOLATORÓW ELEKTROTECHNICZNYCH  
BOPLAST Sp. z o.o.

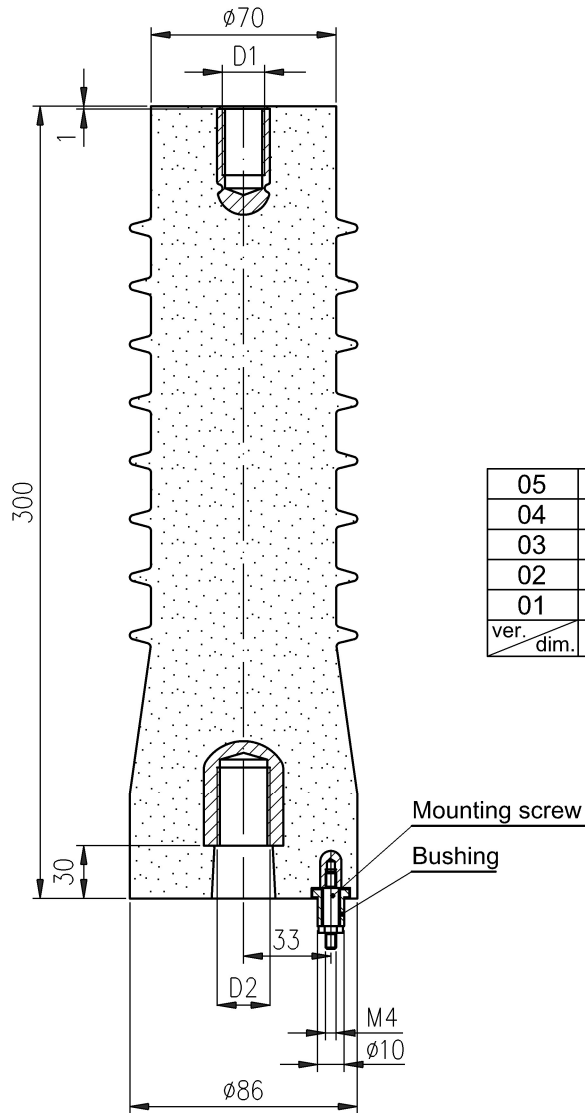
Adres:

ul. B.Krzywoustego 1,  
tel. +48 59 862 01 86;  
www.boplast.pl

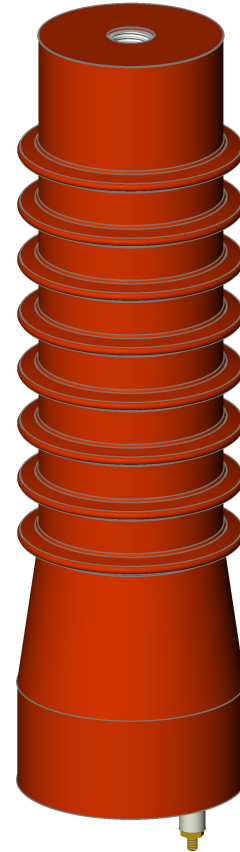
84-300 Lębork  
tel. 516 198 886  
e-mail: boplast@boplast.pl

IZOLATORY WSPORCZE \* IZOLATORY PRZEPUSTOWE \* WYROBY IZOLACYJNE \* USŁUGI

## Post capacitive insulator 36 kV type JOR6-170.bp1



05	M12	M16
04	M12	M20
03	M10	M16
02	M16	M20
01	M16	M16
ver. / dim.	D1	D2



Rated insulation voltage	36 kV
Lighting impulse withstand voltage	170 kV
Dry withstand alternate voltage (50Hz, 1 min)	70 kV
Bending strength Po	6 kN
Creepage distance	393 mm
Insert capacity	50 pF
Weight	2,6 kg

1. Insulator material:  
epoxy compound
2. Parameters according to PN-IEC 60273
3. Tested according to PN-EN 60660
4. Max screw tightening torque:
  - M4 - 4 Nm
  - M10 - 30 Nm
  - M12 - 50 Nm
  - M16 - 120 Nm
  - M20 - 120 Nm
5. Indoor insulator
6. Connection screw and bushing included
7. Can work with our products voltage indicator WN-1 and voltage indicator with switching interlock WNS-1

*Possible to make screws according to client's requirements.*