

ZAKŁAD IZOLATORÓW ELEKTROTECHNICZNYCH
BOPLAST Sp. z o.o.

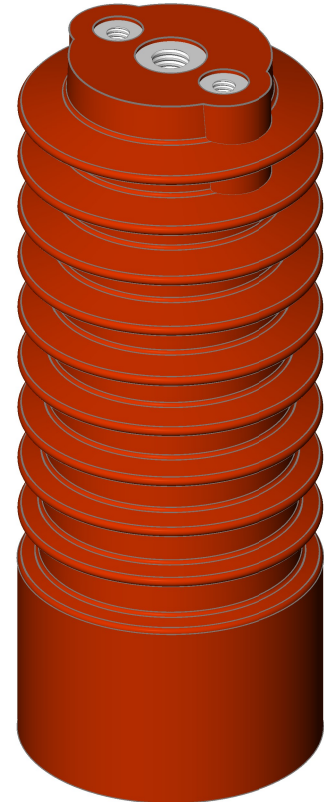
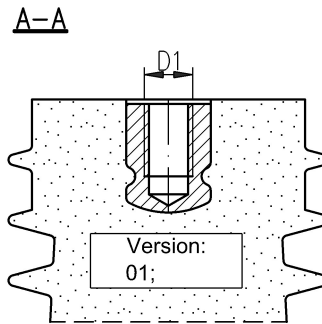
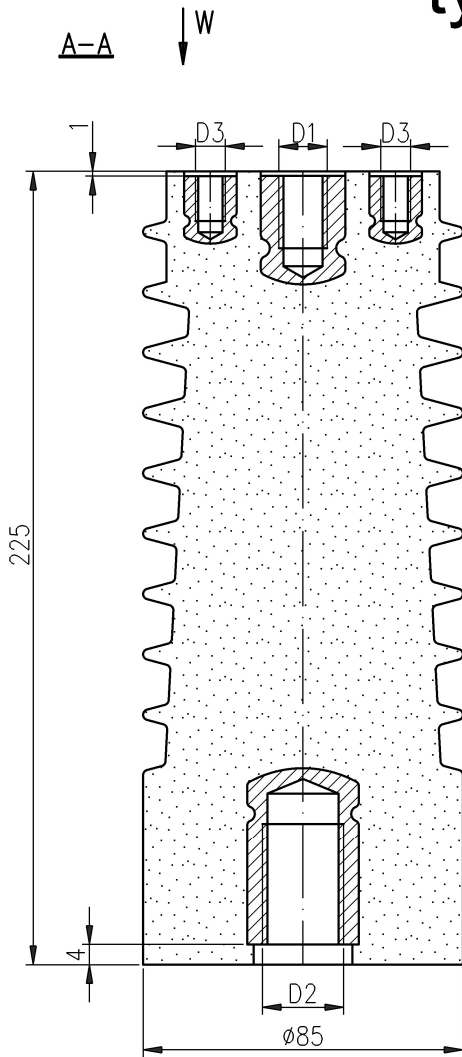
Adres:

ul. B.Krzywoustego 1,
tel. +48 59 862 01 86;
www.boplast.pl

84-300 Lębork
tel. 516 198 886
e-mail: boplast@boplast.pl

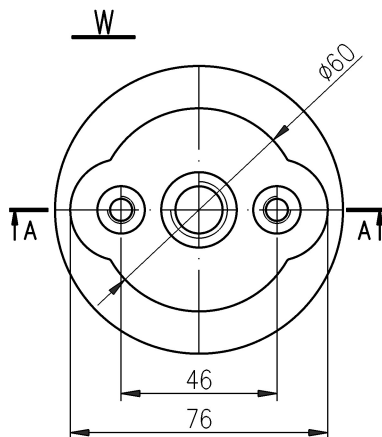
IZOLATORY WSPORCZE * IZOLATORY PRZEPUSTOWE * WYROBY IZOLACYJNE * USŁUGI

Post insulator 24 kV type JO8-125.bp8



1. Insulator material:
epoxy compound
2. Tested according to PN-EN 60660
3. Max screw tightening torque:
- M8 - 20 Nm
- M12 - 50 Nm
- M16 - 120 Nm
4. Indoor insulator
5. Possible version JOR8-125.bp8
with capacity insert

02	M12	M16	M8
01	M12	M16	-
ver. dim.	D1	D2	D3



	PN
Rated insulation voltage	24 kV
Lightning impulse withstand voltage	125 kV
Dry withstand alternate voltage (50Hz, 1 min)	50 kV
Bending strength Po	8 kN
Creepage distance	348 mm
Weight	1,9 kg

Possible to make screws according to client's requirements.

All data can be changed due to technological progress

DT BP.1.047 z dnia 12.07.2024

Order example:

Post insulator 24 kV; type JO8-125.bp8.02 with 2xM8-M12/M16 screws.