

ZAKŁAD IZOLATORÓW ELEKTROTECHNICZNYCH
BOPLAST Sp. z o.o.

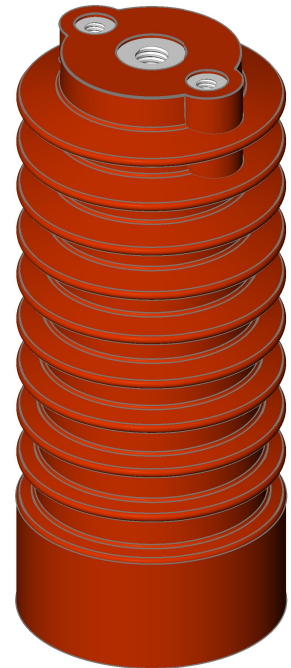
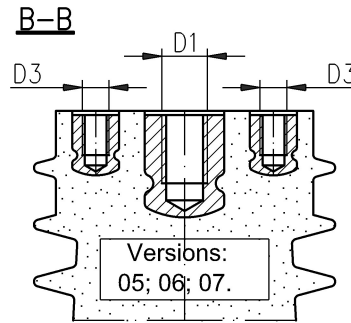
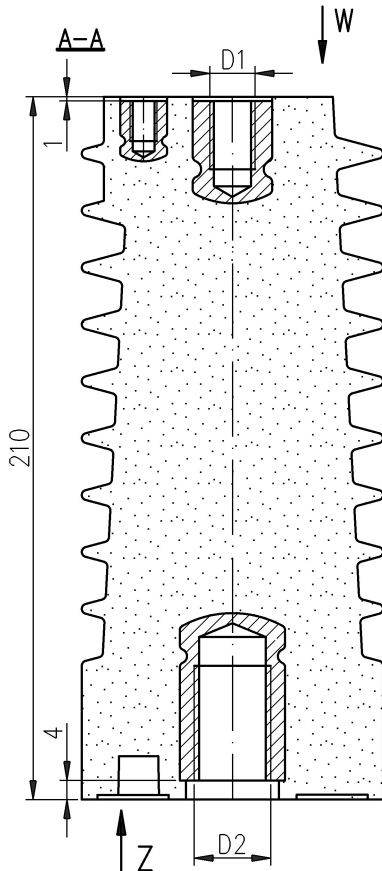
Adres:

ul. B.Krzywoustego 1,
tel. +48 59 862 01 86;
www.boplast.pl

84-300 Lębork
tel. 516 198 886
e-mail: boplast@boplast.pl

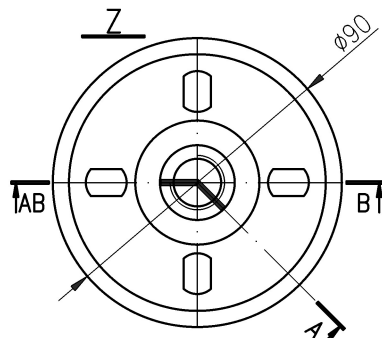
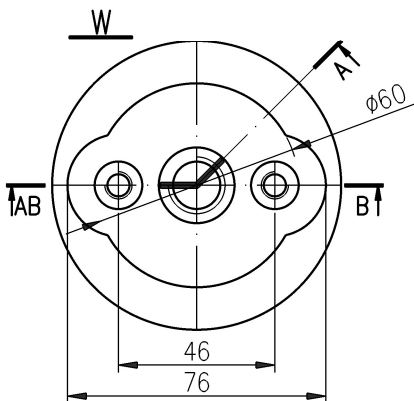
IZOLATORY WSPORCZE * IZOLATORY PRZEPUSTOWE * WYROBY IZOLACYJNE * USŁUGI

Post insulator 24 kV type JO8-125.bp7



1. Insulator material:
epoxy compound
2. Parameters according to PN-IEC 60273
3. Tested according to PN-EN 60660
4. Requirements according to GOST 1516.1-76
5. Max screw tightening torque:
 - M6 - 7 Nm
 - M8 - 20 Nm
 - M10 - 30 Nm
 - M12 - 50 Nm
 - M16 - 120 Nm
 - M20 - 120 Nm
6. Indoor insulator
7. Possible version JOR8-125.bp7
with capacity insert

07	M12	M16	M6
06	M12	M20	M10
05	M12	M16	M8
04	M12	M20	-
03	M16	M20	-
02	M12	M16	-
01	M16	M16	-
ver. dim.	D1	D2	D3



	PN	GOST
Rated insulation voltage	24 kV	20 kV
Lightning impulse withstand voltage	125 kV	125 kV
Dry withstand alternate voltage (50Hz, 1 min)	50 kV	-
Test alternate voltage (50Hz, 5 min)	-	65 kV
Test alternate instantaneous voltage (50Hz, 1 kV/s)	-	75 kV
Bending strength Po	8 kN	
Creepage distance	348 mm	
Weight	1,9 kg	

Possible to make screws according to client's requirements.

All data can be changed due to technological progress

DT BP.1.031 z dnia 16.01.2019

Order example:

Post insulator 24 kV; type JO8-125.bp7.05 with 2xM8-M12/M16 screws.