

ZAKŁAD IZOLATORÓW ELEKTROTECHNICZNYCH
BOPLAST Sp. z o.o.

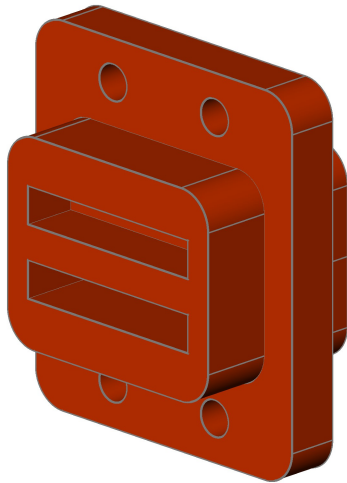
Adres:

ul. B.Krzywoustego 1,
tel. +48 59 862 01 86;
www.boplast.pl

84-300 Lębork
tel. 516 198 886
e-mail: boplast@boplast.pl

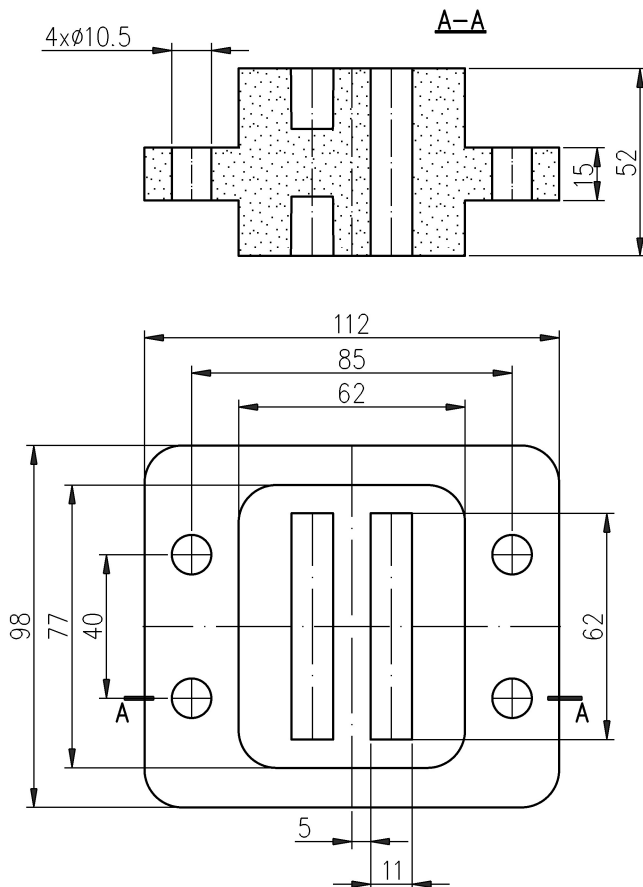
IZOLATORY WSPORCZE * IZOLATORY PRZEPUSTOWE * WYROBY IZOLACYJNE * USŁUGI

Monorail bushing insulator 3 kV type IPS.bp2-1/3/2000

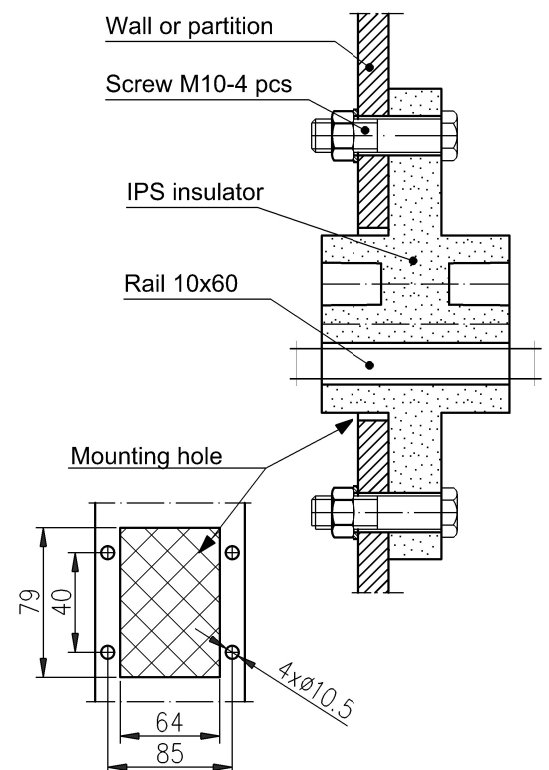


1. Insulator material:
epoxy compound
2. Voltage, thermal and short circuit requirements
according to PN-EN 60137
3. Indoor insulator

Insulation rated voltage	3 kV
Dry withstand alternate voltage (50Hz, 1 min)	9 kV
Rated current	2000 A
Bending strength Po	20 kN
Weight	0,7 kg



Example of insulator assembly



1. Insulator is mounted to subsoil (wall, partition)
with four M10 screws.
2. Screws are not included in the package.