

ZAKŁAD IZOLATORÓW ELEKTROTECHNICZNYCH  
BOPLAST Sp. z o.o.

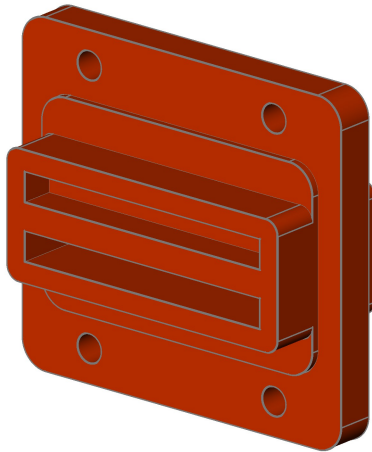
Adres:

ul. B.Krzywoustego 1,  
tel. +48 59 862 01 86;  
www.boplast.pl

84-300 Lębork  
tel. 516 198 886  
e-mail: boplast@boplast.pl

IZOLATORY WSPORCZE \* IZOLATORY PRZEPUSTOWE \* WYROBY IZOLACYJNE \* USŁUGI

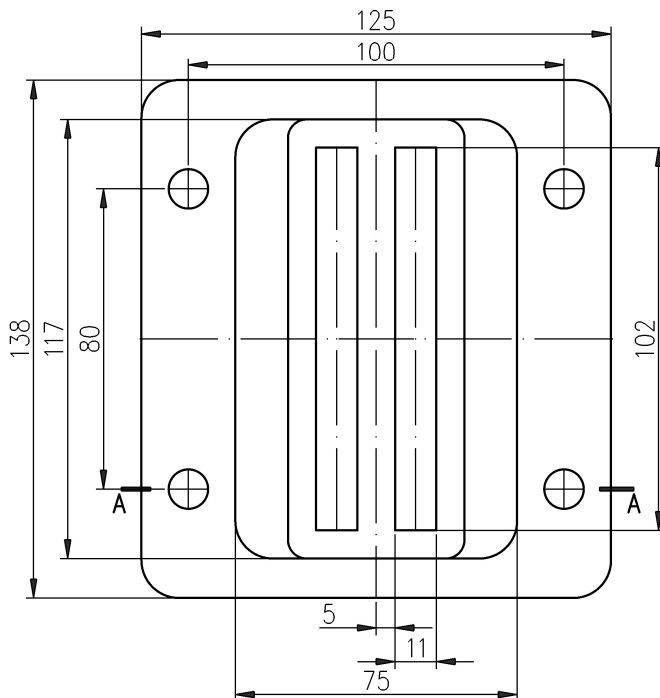
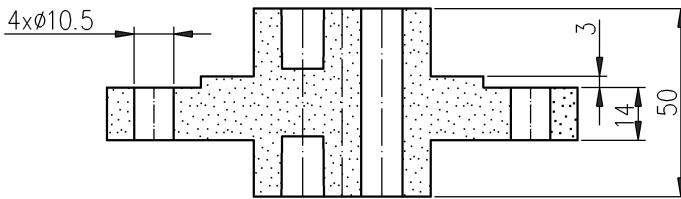
# Monorail bushing insulator 3 kV type IPS.bp1-1/3/3150



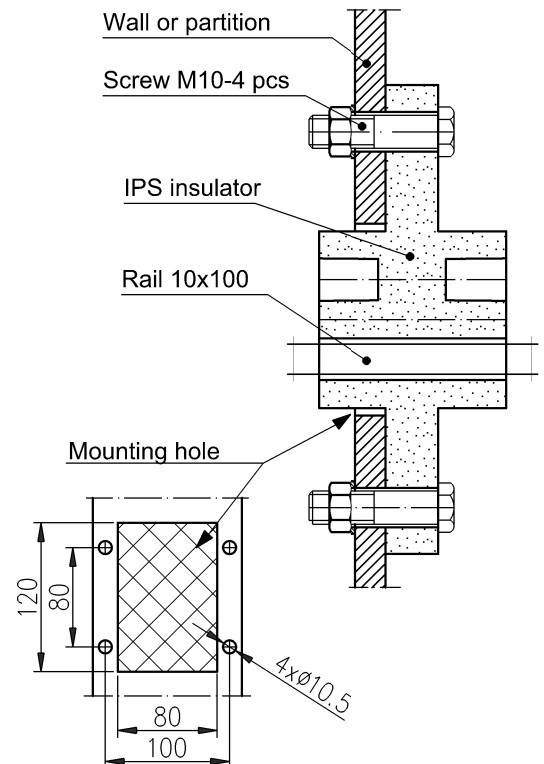
1. Insulator material:  
epoxy compound
2. Voltage, thermal and short circuit requirements  
according to PN-EN 60137
3. Indoor insulator

Insulation rated voltage	3 kV
Dry withstand alternate voltage (50Hz, 1 min)	9 kV
Rated current	3150 A
Bending strength Po	20 kN
Weight	0,7 kg

A-A



## Example of insulator assembly



1. Insulator is mounted to subsoil (wall, partition)  
with four M10 screws.
2. Screws are not included in the package.

All data can be changed due to technological progress

DT BP.3.108.01 z dnia 14.05.2024

Order example:

Monorail bushing insulator 3 kV; IPS.bp1-1/3/3150. Rail dimensions: 10mm x 100mm.